



STEINAIR SA-1002 = AMP 225554-6

**AMP* COAXICON*
R.F. CONNECTORS
SERIES TNC RIGHT ANGLE PLUGS**

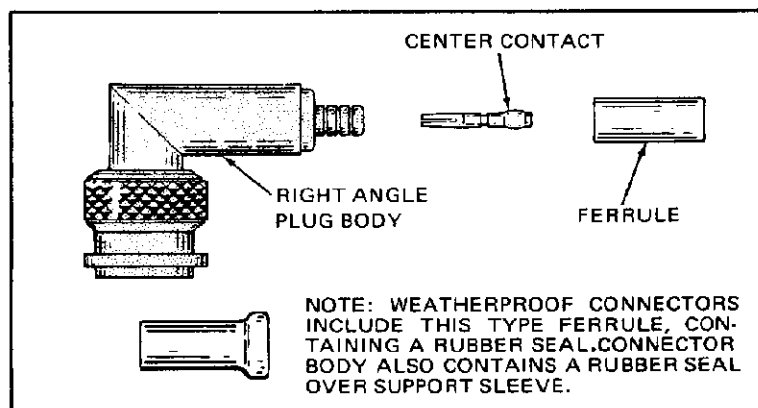
IS 2299-5	
RELEASED	12-15-70
REVISED	5-26-78

Use the following table to select series TNC Connectors and recommended Crimping Tool. Strip cable to dimensions shown in figure referenced in table. Refer to the crimping procedure found in the tool instruction sheet (IS) listed in the table.

Use the procedure shown below to assemble crimped contact and connector.

The following publications contain information on additional series TNC Connectors.

Plugs	2299-1
Jacks	2299-2
Bulkhead Jacks	2299-3
Panel Jacks	2299-4



CABLE (RG/U Coaxial Cable Manufactured in accordance with MIL-C-17D)	SILVER PLATED P/N			TARNISH RES. P/N		CABLE STRIP DIM.	CRIMPING TOOL	
	Government Design. M39012/*	Standard	Weather- proof	Standard	Weather- proof		Part No.	I.S.
55A, 223	30-0016	225349-1	225554-1	225403-1	225559-1	FIG. 1	220045-2	2336
58A, 58C	—	225349-2	225554-2	225403-2	225559-2	FIG. 1	220045-2	2336
59, 59A, 59B 62, 62A, 62B	—	225349-3	225554-3	225403-3	225559-3	FIG. 4	220045-3	2330
71B	—	225349-4	225554-4	225403-4	225559-4	FIG. 4	220045-3	2330
141, 141A	30-0015	225349-5	225554-5	225403-5	225559-5	FIG. 1	220045-2	2336
142, 142A, 142B	—	225349-6	225554-6	225403-6	225559-6	FIG. 1	220045-2	2336
8, 8A, 213	—	225349-8	225554-8	225403-8	225559-8	FIG. 2	220015-1	2331
9, 9A, 214	—	225349-9	225554-9	225403-9	225559-9	FIG. 3	220015-1	2331
115A	—	1-225349-0	1-225554-0	1-225403-0	1-225559-0	FIG. 3	220015-1	2331
225	—	225349-7	225554-7	225403-7	225559-7	FIG. 3	220015-1	2331
393	—	—	1-225554-1	—	—	FIG. 3	220015-1	2331
F.E.P. 115A (TIMES MI 5164)	—	—	1-225554-4	—	1-225559-4	FIG. 3	220015-1	2331
MICRODOT 250-4172	—	—	1-225554-2	—	—	FIG. 2	220015-3	2330

* Applies only to silver-plated items.

Copyright 1970, 1972, 1974, 1978 by AMP Incorporated, Harrisburg, Pa. All International Rights Reserved. AMP Incorporated products covered by U.S. and Foreign Patents and/or Patents Pending.

TYPICAL ASSEMBLY PROCEDURE

1. Slide Ferrule on Cable, then strip Cable. Crimp Center Contact (See Tool Instructions referenced in table).
2. Insert Contact into Connector with Braid over Support Sleeve.
3. Pull back lightly on Cable to make sure that Contact is being held captive by the internal locking feature, then push Cable forward to insure proper contact and dielectric position.
4. Slide Ferrule over Braid and crimp Ferrule. (See Tool Instructions referenced in table.)

